



Lochinvar[®]
High Efficiency Water Heaters, Boilers and Pool Heaters

**PUMP
Recommendation**

PUMP-Rec-06 Rev C

**PUMP RECOMMENDATION FOR
COPPER-FIN 0402-0752 BOILER**

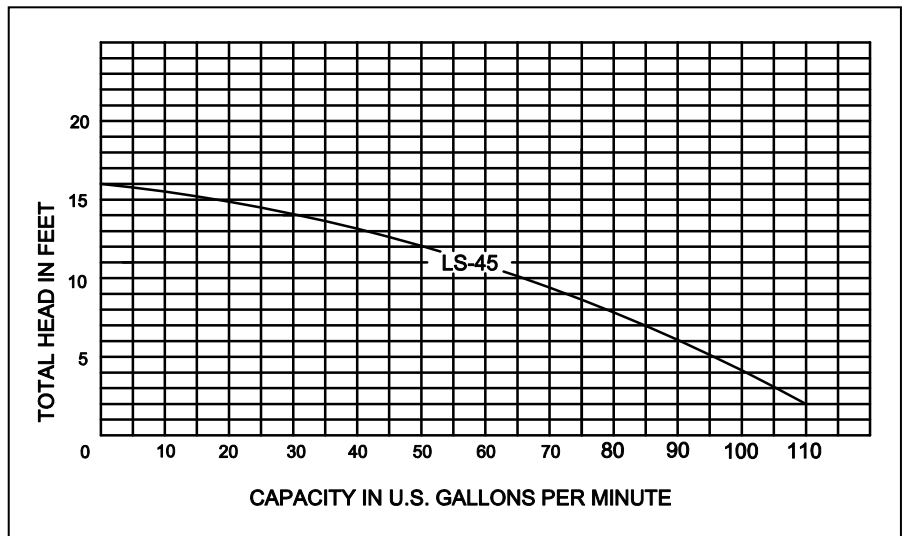
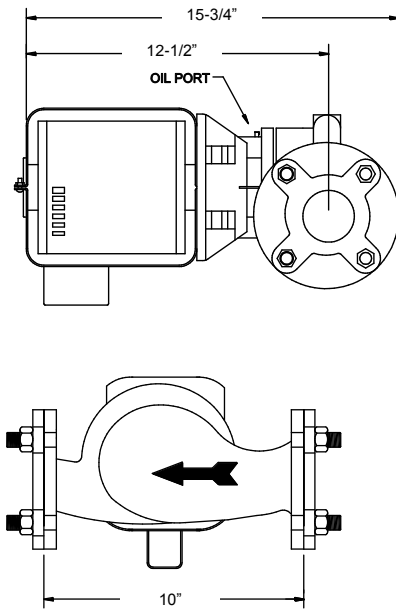
Pump Specifications

Part No.	HorsePower	Flanges	Valute Material	Flange Material	Vendor	Vendor Product Series	Orientation
ARM3044PBF	1/4	2"	Cast Iron	Cast Iron	Armstrong	LS45	Horizontal

Installation Specifications

Specific Model Number	Maximum Flow Rate	Planned Temperature Rise	Planned Flow Rate	Total System Head Loss
	55 GPM			

IMPORTANT: Read the Copper-fin II 399-2070 Installation and Operation Manual. If the planned system exceeds the pump capacity in flow and/or head see "Pump-REC-All Pumps" for alternate pumps and pump curves.



Lochinvar[®]
High Efficiency Water Heaters, Boilers and Pool Heaters

Lochinvar Corporation • 300 Maddox Simpson Pkwy • Lebanon, TN 37090 • 615-889-8900/Fax: 615-547-1000

www.Lochinvar.com



Lochinvar[®]
High Efficiency Water Heaters, Boilers and Pool Heaters

**PUMP
Recommendation**

PUMP-Rec-06 Rev C

**PUMP RECOMMENDATION FOR
COPPER-FIN II 0992-2072 BOILER**

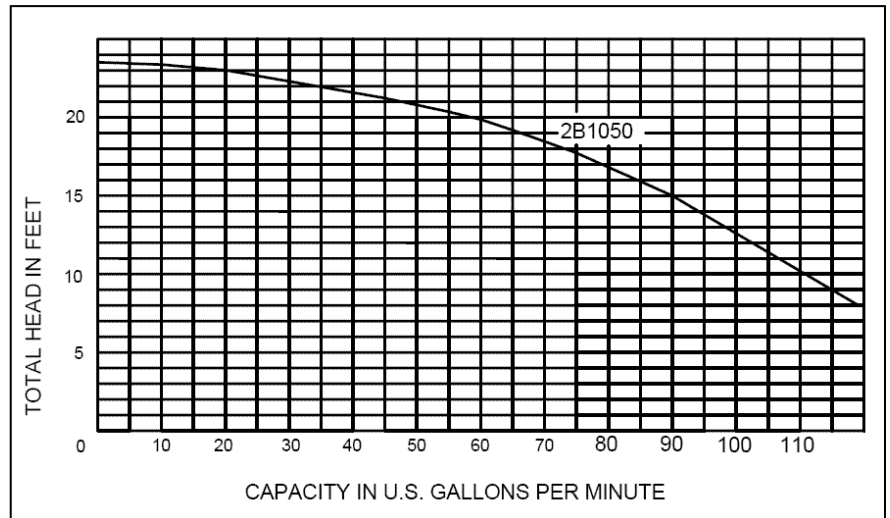
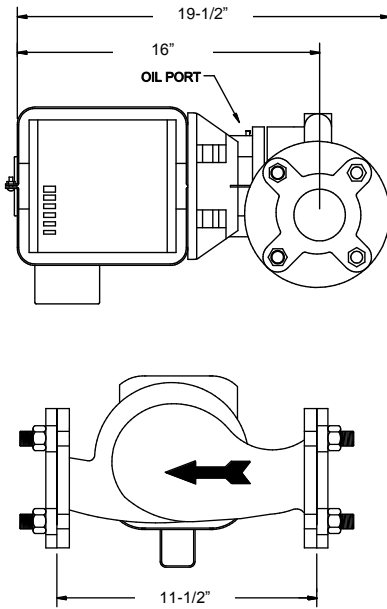
Pump Specifications

Part No.	HorsePower	Flanges	Valute Material	Flange Material	Vendor	Vendor Product Series	Orientation
ARM3024PBF	1/2	2-1/2"	Cast Iron	Cast Iron	Armstrong	2B1050	Horizontal

Installation Specifications

Specific Model Number	Maximum Flow Rate	Planned Temperature Rise	Planned Flow Rate	Total System Head Loss
	90 GPM			

IMPORTANT: Read the Copper-fin II 399-2070 Installation and Operation Manual. If the planned system exceeds the pump capacity in flow and/or head see "Pump-REC-All Pumps" for alternate pumps and pump curves.



Lochinvar Corporation • 300 Maddox Simpson Pkwy • Lebanon, TN 37090 • 615-889-8900/Fax: 615-547-1000

www.Lochinvar.com